



## *Typical Details*

# *Rout & Return Rainscreen (Dry Joint)*

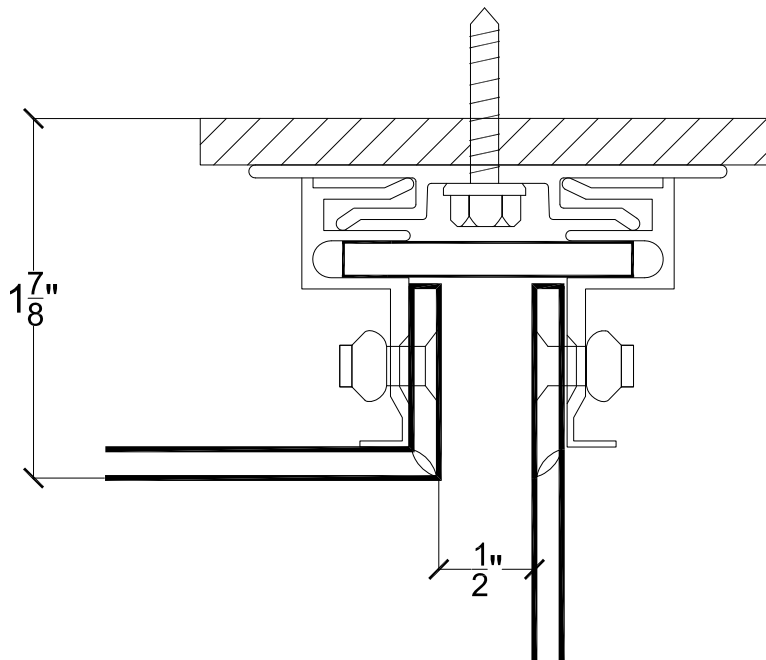
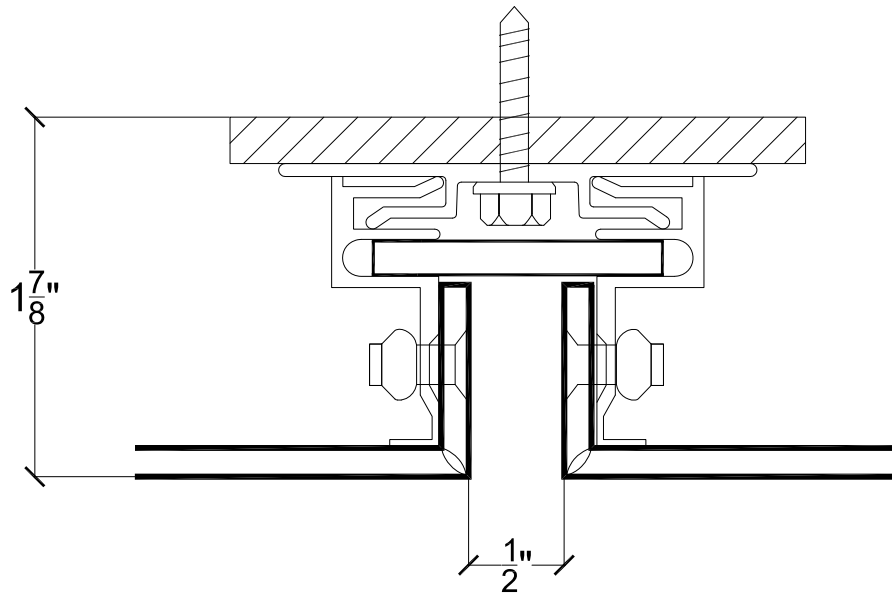
### **OVERVIEW**

The rain screen principle is a science in itself. Many fabricators are specialists in the field of building envelopes, delivering pressure-equalized rain screen systems, and drained and back-ventilated rain screen systems, using Vitrabond ACM. The Vitrabond ACM sheets are cut, back-routed and folded into panels by a specialty fabricator, with aluminum mounting extrusions fastened to the rear of the panels to provide a concealed fastening system. The same extrusions are used for both types of rain screens, however certain techniques and practices are followed when building a pressure-equalized rain screen system.

The installer mounts the pre-fabricated panels onto mating extrusions on the building, and the reveal joints have a spline inserted.

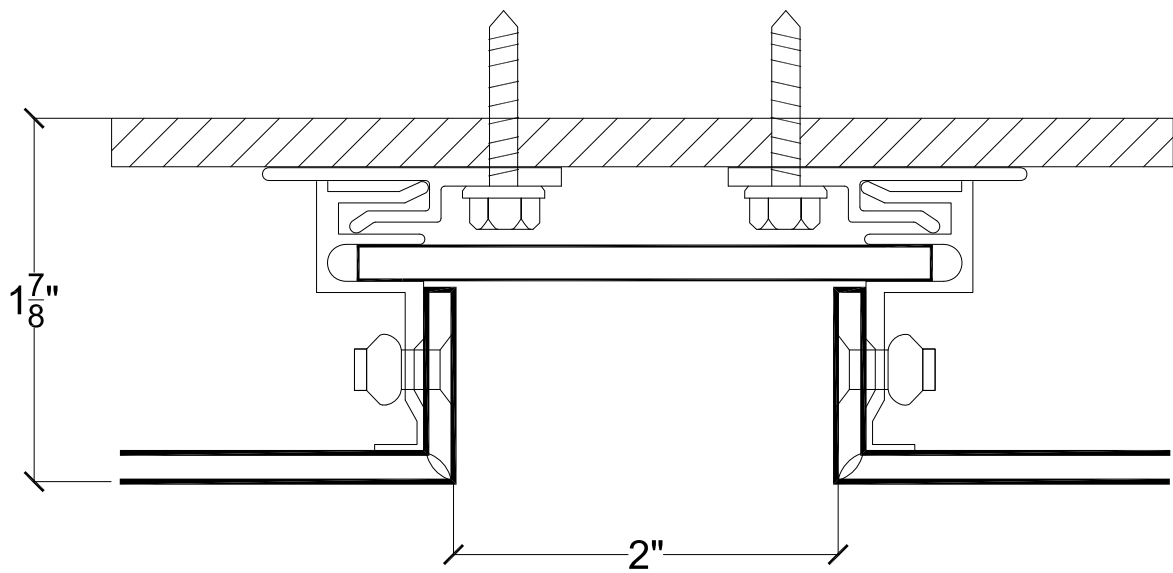
### **APPLICATIONS**

Most common for facades, building accents, signage, and feature walls.



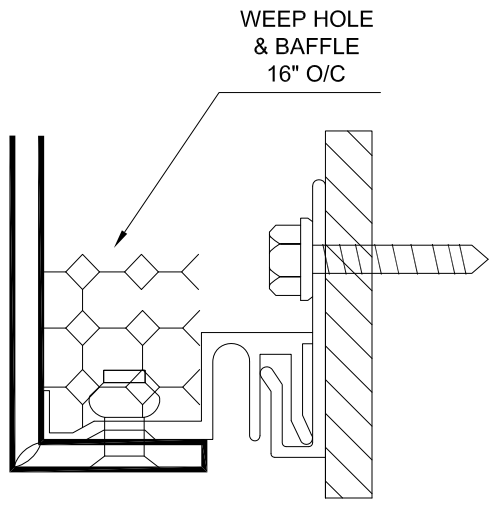
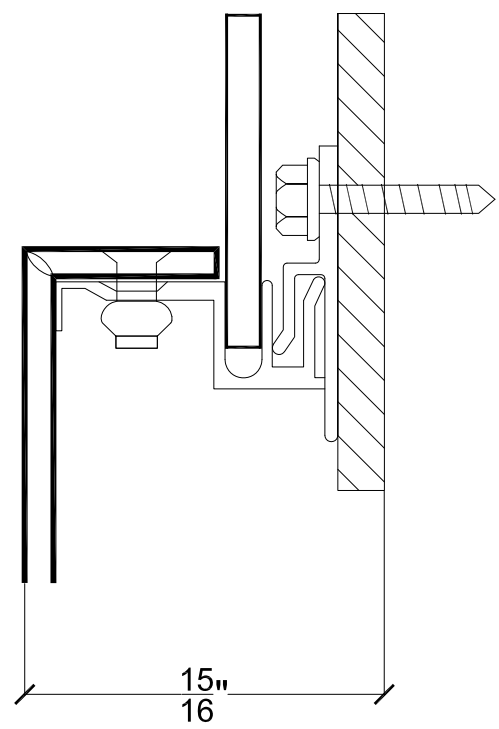
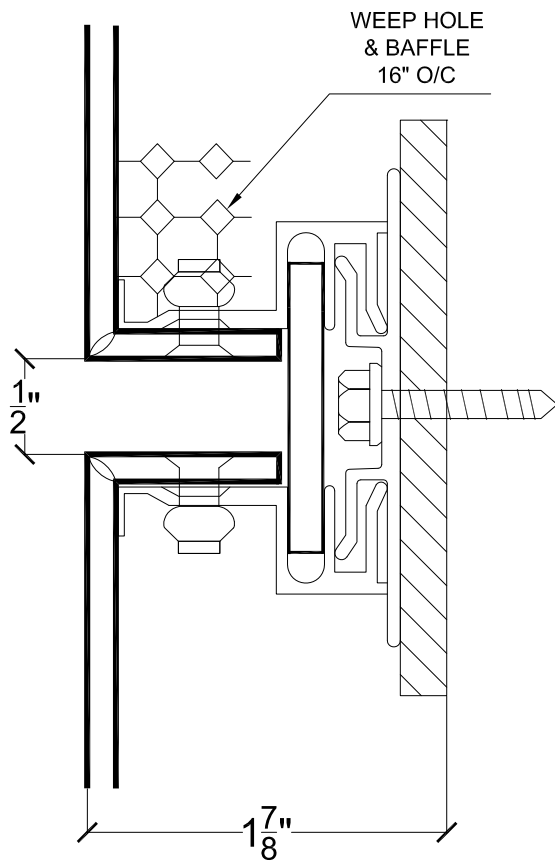
1.- TYPICAL VERTICAL JOINTS  
NTS

Sheet <b>1</b> Of <b>5</b>	Drawn By NCDS	Project Number  <b>DWG-01</b>	Project  <b>STANDARD RAINSCREEN SYSTEM</b>	  <a href="http://www.fairviewarchitectural.com">www.fairviewarchitectural.com</a>
	Date Drawn 20/10/2014			
	Revisions No. _____ Date _____ No. _____ Date _____			
	© Copyright Fairview Architectural LLC			



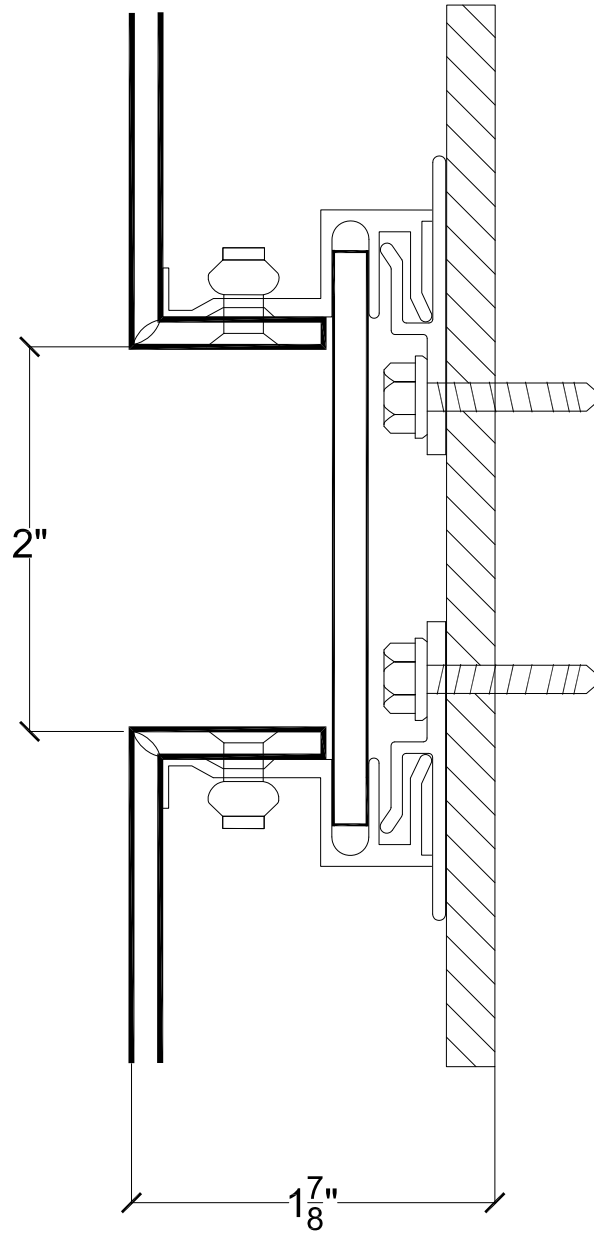
2.- CUSTOM VERTICAL JOINT  
NTS

Sheet <b>2</b> Of <b>5</b>	Drawn By NCDS	Project Number  <b>DWG-01</b>	Project  <b>STANDARD RAINSCREEN SYSTEM</b>	  ALUMINIUM COMPOSITE PANEL <a href="http://www.fairviewarchitectural.com">www.fairviewarchitectural.com</a>
	Date Drawn 20/10/2014			
	Revisions No. _____ Date _____ No. _____ Date _____			
	© Copyright Fairview Architectural LLC			



3.- TYPICAL HORIZONTAL JOINTS  
NTS

Sheet <b>3</b> Of <b>5</b>	Drawn By NCDS	Project Number  <b>DWG-01</b>	Project  <b>STANDARD RAINTSCREEN SYSTEM</b>	  <a href="http://www.fairviewarchitectural.com">www.fairviewarchitectural.com</a>
	Date Drawn 20/10/2014			
	Revisions No. _____ Date _____ No. _____ Date _____			
© Copyright Fairview Architectural LLC				



4.- CUSTOM HORIZONTAL JOINTS  
NTS

Sheet 4 Of 5

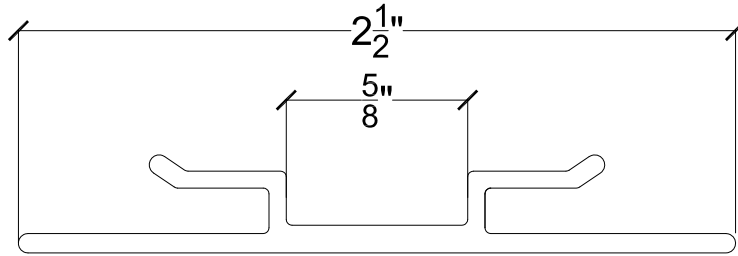
Drawn By  
NCDS  
Date Drawn  
20/10/2014  
Revisions  
No. \_\_\_\_\_ Date \_\_\_\_\_  
No. \_\_\_\_\_ Date \_\_\_\_\_

Project Number  
  
DWG-01

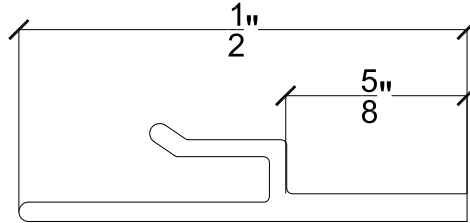
Project  
  
STANDARD RAINSCREEN SYSTEM

© Copyright Fairview Architectural LLC

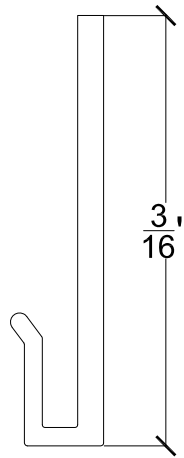




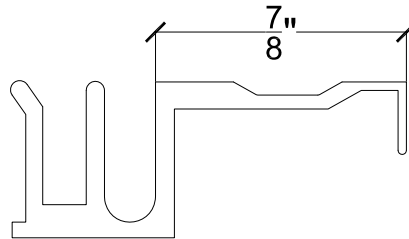
VBX - 01



VBX - 02



VBX - 03



VBX - 04

5.- EXTRUSION DETAILS  
NTS

Sheet <b>5</b> Of <b>5</b>	Drawn By NCDS	Project Number  <b>DWG-01</b>	Project	  <a href="http://www.fairviewarchitectural.com">www.fairviewarchitectural.com</a>
	Date Drawn 20/10/2014		STANDARD RAINSCREEN SYSTEM	
	Revisions No. _____ Date _____ No. _____ Date _____		© Copyright Fairview Architectural LLC	